

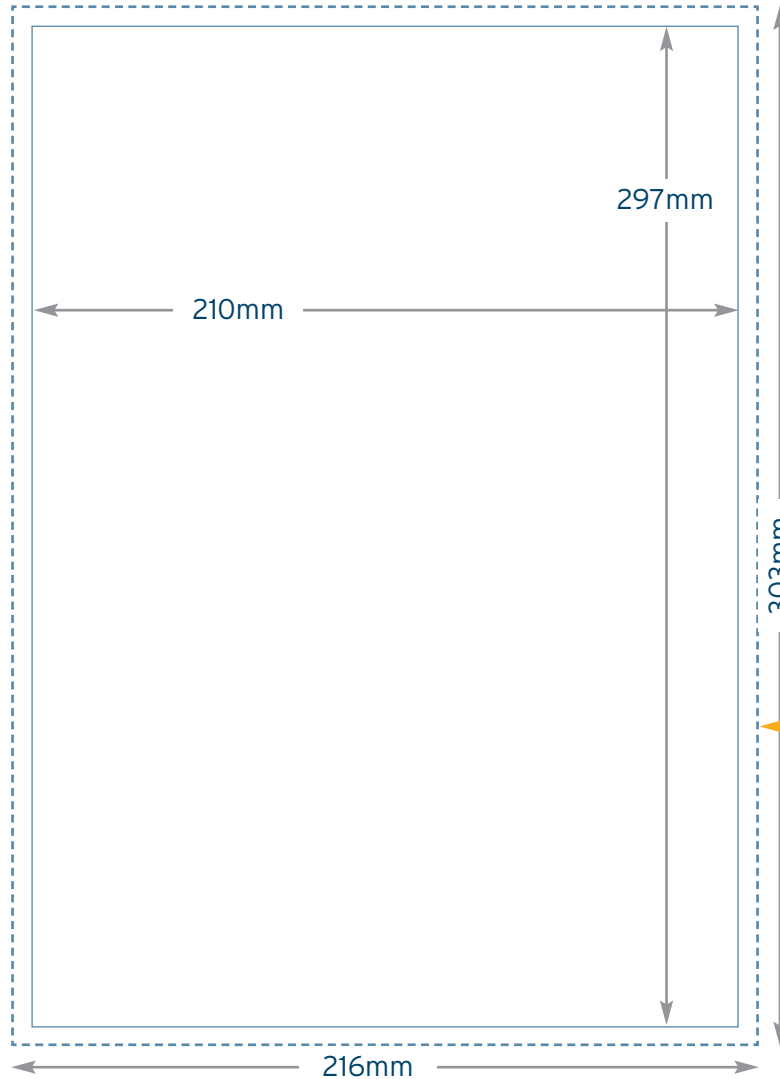
# Table Plans Template

## A2/A1/A0

A2 = 420x594mm

A1 = 594x841mm

A0 = 841x1189mm



### PLEASE NOTE

Produce your artwork as A4 (297mm x 210mm) - we will enlarge your artwork when we print your table plan.

### BLEED

Please provide 3mm bleed around your artwork to ensure that your printing can be cut neatly and this prevents a white edge around your print.